



COMMERCIAL RESIN FURNITURE

Your best value for Food Service & Hospitality!

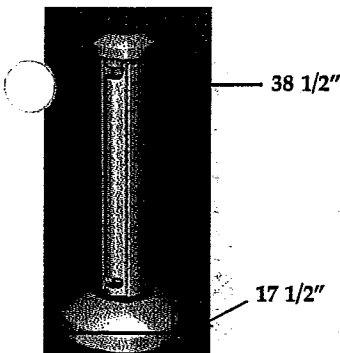
Versatile Resin Patio Fence

How Many Posts and How Many Sections of Panels Will I Need for my Grosfillex Enclosure?

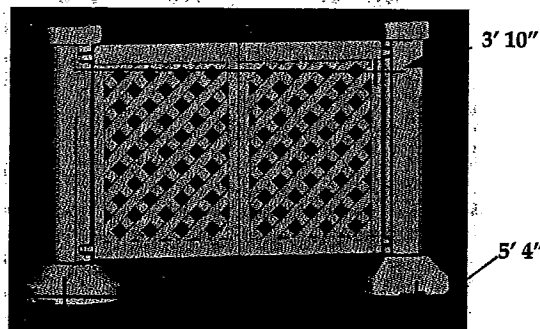
**Use any combination of panel sections to go between the posts and bases to fit the measurements of your patio layout:*

- "On center" length
- Overall length, including end posts & bases

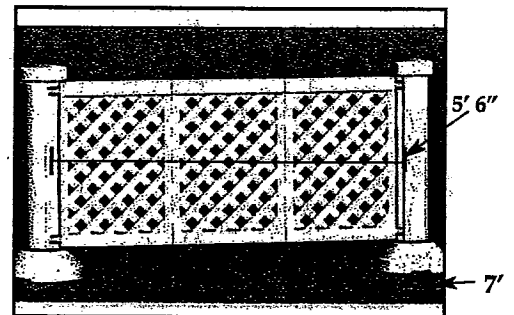
Post & Base



2 Panel Section



3 Panel Section



Number of Panels per Section

Length	2	3
"On Center" Length	3' 10"	5' 6"
Overall Length	5' 4"	7'

Distance from Panel to ground = 5 1/4"

Design & Define your patio or terrace with this decorative, lattice panel fencing system that can be assembled and fitted to custom create our outdoor dining space! Each post and base can be filled with water or sand to 50 lbs. for extra stability. System can be easily moved and stored for ease of cleaning at the end of each season.

Please call your Grosfillex Representative for any further assistance • There may be other combinations that will fit your specific needs!



*Use Chart Below as a Guideline to Calculate
How Many Panel Sections You Will
Need to Fit Selected Lengths
of Grosfillex® Enclosure*

"Nominal Length"	Number of Sections		"On Center Length"	Overall Length	Number of Posts & Bases
	2 Panels	3 Panels			
10 ft.	2		7' 8 1/2"	9' 2"	3
	1	1	9' 5"	10' 10"	3
15 ft.	4		15' 5"	16' 10 1/2"	5
20 ft.	5		19' 3"	20' 9"	6
	2	2	18' 9"	20' 3"	5
25 ft.	6		22' 1 1/2"	24' 7"	7
	3	2	22' 7 1/2"	24' 1"	6
		4	22' 1 1/2"	23' 7"	5
30 ft.		5	27' 8"	29' 2"	6
	3	3	28' 2"	29' 7 1/2"	7
	2	4	29' 10"	31' 3 1/2"	7
	6	1	28' 8"	30' 1 1/2"	8
35 ft.		6	33' 2"	34' 8"	7
	9		34' 8"	36' 2"	10
	6	2	34' 2"	35' 8"	9
	3	4	33' 8"	35' 2"	8
40 ft.		7	38' 1/2"	40' 2"	8
	10		38' 6 1/2"	40'	11
	3	5	39' 2 1/2"	40' 8"	9
	9	1	40' 2 1/2"	41' 8"	11
	4	4	37' 6 1/2"	39'	9
	7	2	38' 1/2"	39' 6"	10

Note: Number of posts and bases needed for a line of sections = Total # of sections +1!!

Number of posts and bases needed for a combination of sections in a geometric space, (i.e., a rectangle) without any access through the fence: Total # of Sections +1!

Number of posts and bases needed for a combination of sections in a geometric space with access through the fence: Total # of Sections +1 + # of accesses (entry ways through fence).

Please call your Grosfillex Representative for any further assistance - as there may be other combinations that will fit your specific needs!

www.grosfillexfurniture.com • info@grosfillexfurniture.com

PH (800) 233-3186 • FAX (610) 693-5414